



Jets™ Mounting Frame provides a simple and complete solution for mounting selected toilet models from Jets™ range of sanitary fixtures.

**Warranty**

All products of the company are sold and all services of the company are offered subject to Jets Vacuum AS General Sales Conditions detailing warranty and terms and conditions of sale, copies of which will be furnished upon request. The information provided herein is for guidance only; it does not constitute a guarantee of the performance or specification of any individual product or component.

**Technical Data**

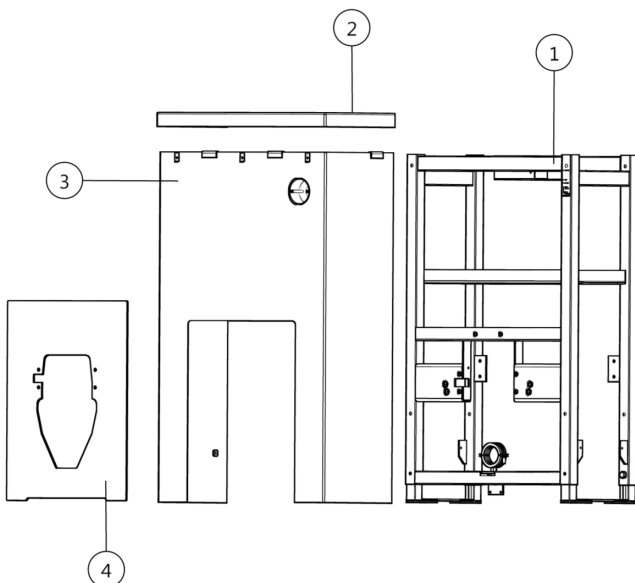
Outside Dimensions.....616 x 313 x 997 mm (LxWxH)  
Weight.....23.2 kg  
Generic Material.....ABS

**Patents and Trademarks**

Jets™, Vacuumator™, Helivac™, VC™, VOD™, CVS™ and Softsound™ are trademarks and/or registered trademarks of Jets. © Copyright 2011, Jets AS.

**Disclaimer**

Product color reproduction is as near to actual color as product methods allow. All rights reserved. Jets Vacuum AS has a policy of continuous improvement on its products and reserves the right to change materials and specifications without notice. Information herein is current at the time of printing and is subject to change without notice. No part of this document may be reproduced in any form by any means without prior written approval of Jets Vacuum AS.



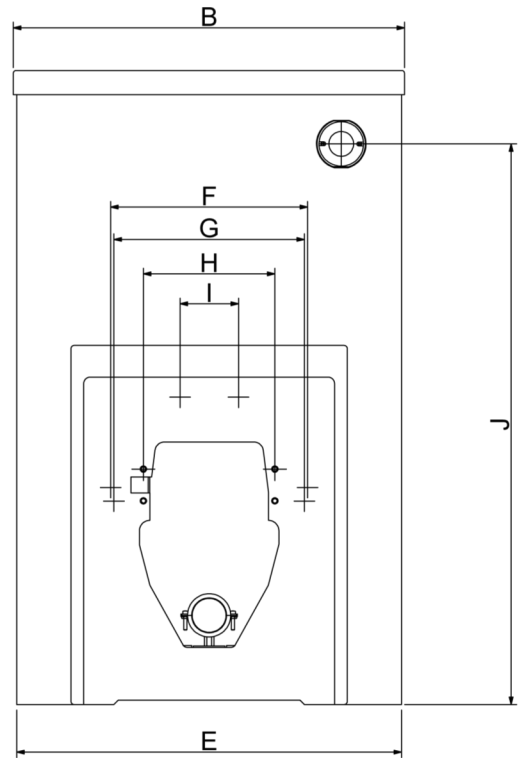
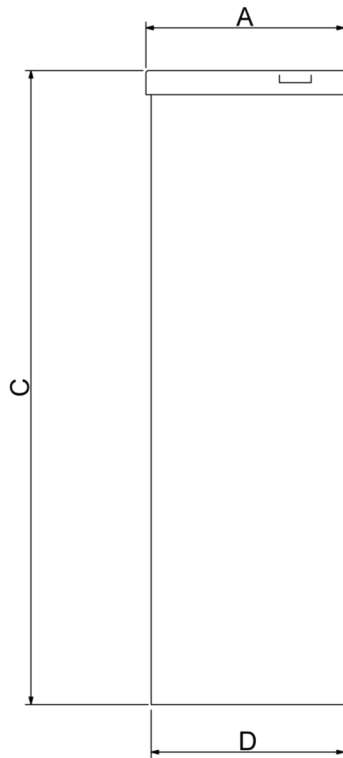
**Components**

*Construction Characteristics*

- ① Mounting Frame.....069000355\*
- ② Top Cover.....069000356\*
- ③ Main Cover.....069000357\*
- ④ Cover, w/Cut Out.....069000358\*

\* Component/s available as replacement parts.

**Dimension Drawings**



A.....	315mm
B.....	620mm
C.....	1000mm
D.....	305mm
E.....	610mm

F.....	CC310mm
G.....	CC300mm
H.....	CC207mm
I.....	CC92mm
J.....	Release Button 850mm

## **Delivery, Receipt of Goods and Transportation**

Goods to be protected against shock, dust, humidity and moisture. Suitable adequately dimensioned transporting equipment is to be used. Note that the equipment may contain components that are easily damaged as a result of inappropriate handling. Jets Vacuum AS is not responsible for or liable for delivery delays resulting from occurrences outside of Jets Vacuum AS' immediate control. On receipt of goods, check for visual damage. Any damage detected after dispatch should be reported immediately to Jets Vacuum AS. Damages and/or discrepancies must be reported in writing no later than eight (8) days after receipt of goods. Commissioning must be postponed until the equipment has been inspected. Do not dispose of damaged items. Your direct supplier will advise you of the procedure to follow.

## **Storage**

Unless otherwise specified, goods are to be stored in a dry environment between -30°C and +40°C prior to installation. The storage location must be dust free, low humidity ( $\leq 95\%$ ) and be free from moisture. Keep clear of foreign objects.

## **Installation to End Use**

Site to be an environment between -30°C and +45°C. See site plan instructions for further information. A visual inspection is to be carried out on receipt of goods as well as at the time of installation to ensure that storage and transport conditions after receipt have not compromised the quality of the product/s.

## Pre-Installation

### IMPORTANT INFORMATION:

The mounting frame is designed to be used with a range of toilet models. The dimension information for each suitable model varies. Verify dimensions for correct adjustment of height, bolts and connections depending on the toilet model, prior to installation. If unclear, contact Jets Vacuum AS or your nearest supplier before starting the installation.

- All dimensions are in mm.
- Height dimensions are from the finished floor surface (after tiles or other finished floor materials have been installed).
- Drawings are schematics only.

## Installation

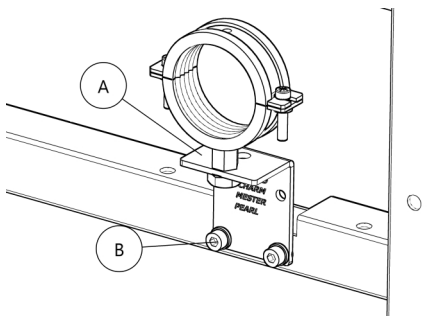
Please read the instructions carefully and familiarize yourself with the required regulations, tools, materials, and installation sequences.

- Observe all local and industry plumbing and building codes. The bracket is to be installed in compliance with all local, state and federal wet room requirements.
- Installation is to occur within the water barrier in line with local/industry requirements.
- Ensure that the water supply is closed during pipe installation.

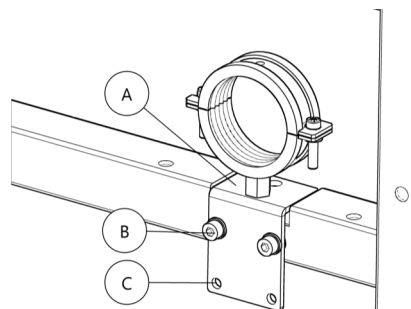
## Installation Steps

### 1.) Adjust the Clamp Bracket

Toilet Type:  
Pearl



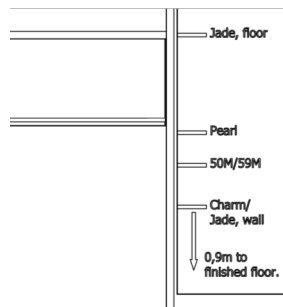
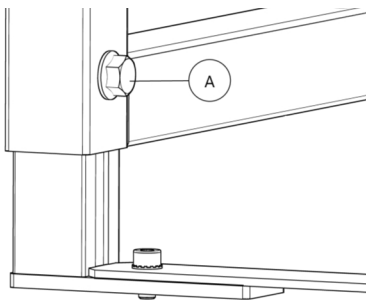
Toilet Type:  
Jade Wall  
59M  
50M  
Charm



Adjust the clamp bracket according to the toilet type.

The clamp bracket (A) can be removed by unscrewing the 2 screws (B). Use the appropriate screw holes (B) or (C) depending on toilet type.

### 2.) Adjust the Height of the Frame

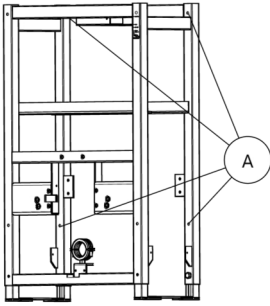


Open the 4 screws on the bottom bracket (A) and adjust the height according to toilet type (use a level).

Tighten the screws at the correct height.

Refer to the Label located on the upper right hand corner of the mounting frame for the correct height.

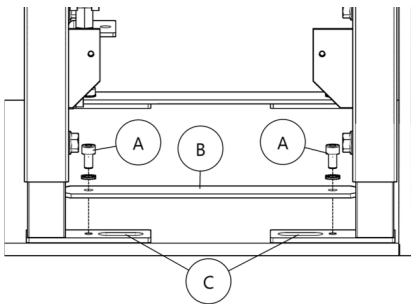
### 3.) Mount the Frame to the Wall



Using the 4 fastening holes (A) (Ø8.5), secure the frame to the wall. See extra mounting support for additional fastening.

\* Screws are not provided in product delivery.

### 4.) Extra Mounting Support



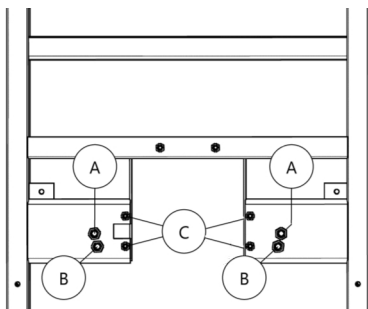
If extra support is needed, the frame can be fastened to the floor.

The Mounting Frame comes with 2 steel support bars (B) (one on each side of the frame) to be kept in place if not mounting to the floor. If floor mounting is required, remove the steel support bars by removing the 2 screws (A) on each side and secure the frame to the floor surface using the bolt holes (C).

Please note: Ensure water barrier regulations are adhered to.

\* Screws are not provided in product delivery.

### 5.) Fastening Bolts



Affix the toilets fastening bolts to the frame according to the toilet type.

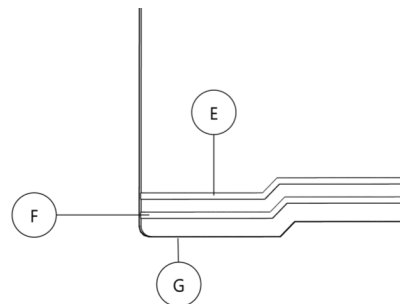
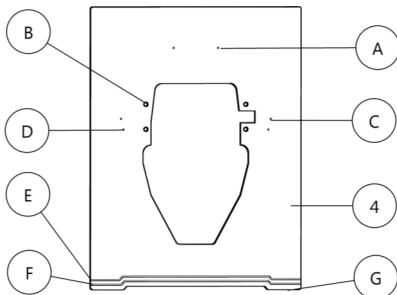
- (A) 59M Toilet
- (B) Charm / Jade Wall Toilet
- (C) Pearl Toilet

### 6.) Mount the Cover, w/Cut Out

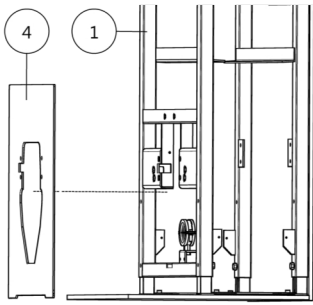
- A - Pearl Seat & Cover (to be drilled Ø10)
- B - Pearl Toilet (pre-drilled)
- C - 59M Toilet (to be drilled Ø13)
- D - Charm / Jade Wall Toilets (to be drilled Ø13)

According to toilet type, the height of the Cover, w/Cut Out ④ may need to be adjusted. Cut on the line shown for the following toilet type:

- E - Pearl
- F - 59M
- G - Charm / Jade Wall / 50M - no cutting needed, leave at full length



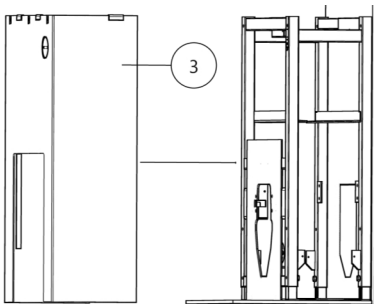
## 7.) Mount the Cover, w/Cut Out



Place the Cover, w/Cut Out ④ through the Fastening Bolts on the Mounting Frame ①.

Note: Ensure that the Cover, w/Cut Out is placed on the bolts with the bottom cut lines facing the frame.

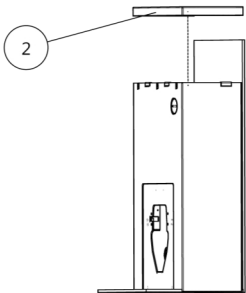
## 8.) Mount the Main Cover



Place the Main Cover ③ onto the Frame.

The Main Cover is secured to the frame by magnets.

## 9.) Mount the Top Cover



Place the Top Cover ② into position.

The Top Cover is secured to the Main Cover by magnets.

## 10.) Completed

Disassembly is to be completed in reverse order of the Installation Instructions.

